

ANTOP[®]

INDOOR TV ANTENNA



AT-210

INSTRUCTIONS

1

Connecting

Connect the coaxial cable attached to the antenna to the ANTENNA/CABLE IN connector on the back of the TV or converter box.

2

Setting and Scanning

In the TV's setup menu, set the mode to "Antenna" or "Air", then, set TV to "Scan" for channels. Consult the TV manual for detailed instructions.

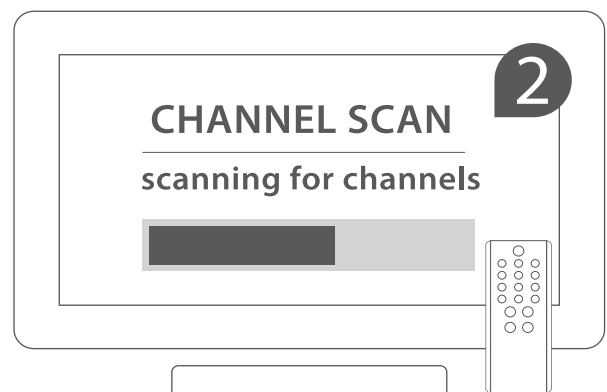
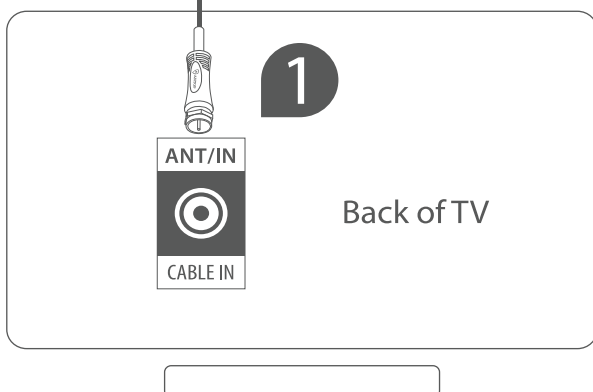
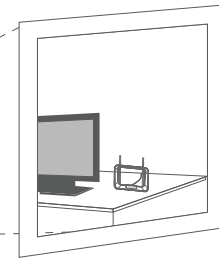
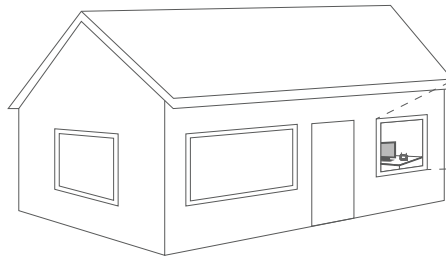




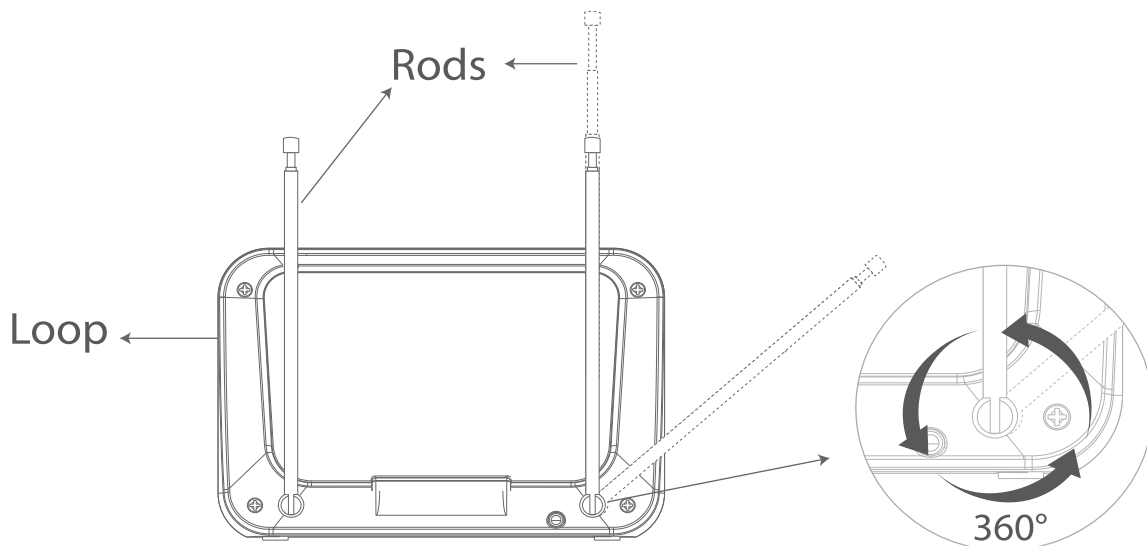
Table Standing



3

Locating and Placing

Test the antenna in multiple locations to find the one with best reception quality and place the antenna there. A high location or positioning the antenna toward the broadcast tower may result in better reception.



- Tune to the local channel above 14. Adjust the antenna's loop until get the best picture.
- Tune to the local channel between 2 and 13. Extend the antenna's rods and rotate them until get the best picture

WARRANTY POLICY

Customers should first contact their place of purchase to determine the reseller's warranty policy. Antop Antenna's warranty will take effect after the expiration of reseller's policy. **Antop Antenna**, warrants its products for a period of one (1) year from the original date of purchase. Warranty is valid only with proof of purchase. Warranty does not apply to defects or failures of the product caused by; neglect, misuse, negligence, accident, abuse, mishandling, misapplication, alteration, modification, power outage, unauthorized/unreasonable use, or any uncontrollable environmental damage.

RETURNS & REFUNDS

For any return, customers should first contact their place of purchase to determine the reseller's return policy. A Return Material Authorization (RMA) number must be obtained in advance by contacting Antop Antenna customer service via e-mail or telephone. Merchandise returned to Antop Antenna must have a RMA number displayed on the box and a copy of your proof of purchase inside the package. Absolutely no refund after 30 days of purchase from Antop Antenna. A restocking fee of 15% will be deducted from any refund, ask representative for further details. Refund policy for US & Canada customers only.

EXCHANGE & REPLACEMENT

For any exchange or replacement, customers should first contact their place of purchase to determine the reseller's policies. No upgrades or exchanges for different models or SKU's. One (1) Year limited manufacturer's warranty for exchange of product due to malfunction, failure or defect, missing parts or components. Exchanges will be for the same item, model and/or SKU, within one (1) year of original purchase date. A Return Material Authorization (RMA) number must be issued by Antop Antenna prior to returning any product or part. To obtain an RMA, contact Antop Antenna via email or telephone.

SHIPPING & COSTS

Customer will be responsible for shipping costs of merchandise sent to Antop Antenna. Please consult a customer service representative for details. When shipping any item to Antop Antenna, please consider using a trackable shipping method. Antop Antenna cannot be held responsible for lost or misdirected shipments. Exchanged and returned products must be sent to: Antop Antenna, RMA Department, 1650 S. Balboa Ave, Ontario, California 91761. To receive a Return Material Authorization from Antop Antenna please send your request to RMA Dept: Support@antopusa.com or to speak to Customer Service: Via telephone, M-F, 9am to 5pm (PST) 909-947-8883.

www.antopusa.com

ANTOP ANTENNA INC | Tel. 909.947.8883 | Email: Support@antopusa.com